



Mould Rack

Features ▼



Adjustable pull-out shelf

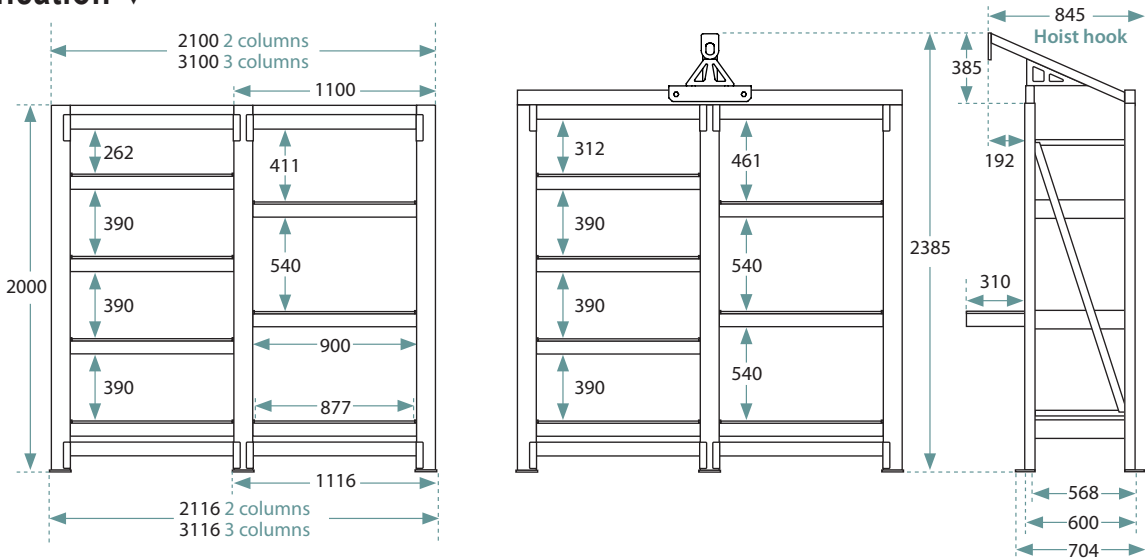


Safety pin



Omni ball transfer unit provides smooth movement

Specification ▼



MB-206

W2116xD704xH2000

Column x2
Pull-out shelf x6



MB-208

W2116xD704xH2000

Column x2
Pull-out shelf x8



MB-309

W3116xD704xH2000

Column x3
Pull-out shelf x9



MB-312

W3116xD704xH2000

Column x3
Pull-out shelf x12



MB-2061

W2116xD845xH2385

Column x2
Pull-out shelf x6
Hoist rail x1 set



MB-2081

W2116xD845xH2385

Column x2
Pull-out shelf x8
Hoist rail x1 set



MB-3091

W3116xD845xH2385

Column x3
Pull-out shelf x9
Hoist rail x1 set



MB-3121

W3116xD845xH2385

Column x3
Pull-out shelf x12
Hoist rail x1 set

KG Loading :1000kg / per shelf , Loading : 500kg / hoist rail

Unit of measurement : mm