



Workbench



18mm wood top

With leveler screws



Extra shelf for extra storage space



Perforated board can be used with all tanko hangers
Refer to P41~P43



Cable grommet

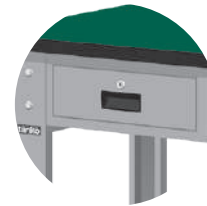


WE-47W W1200xD600xH750	WE-47W3 W1200xD620xH1355	WE-47W4 W1200xD620xH1355	WE-47W5 Light WP-9003 W1200xD620xH1355
WE-58W W1500xD750xH800	WE-47W7 W1200xD620xH1655	WE-47W8 W1200xD620xH1655	WE-47W9 Light WP-9003 W1200xD620xH1655
—	WE-58W3 W1500xD770xH1710	WE-58W4 W1500xD770xH1710	WE-58W5 Light WP-9003 + WP-9004 W1500xD770xH1710



WET-4102W W1200xD610xH750	WET-4102W3 W1200xD625xH1355	WET-4102W4 W1200xD625xH1355	WET-4102W5 Light WP-9003 W1200xD625xH1355
WEW-5102W W1500xD760xH800	WET-4102W7 W1200xD625xH1655	WET-4102W8 W1200xD625xH1655	WET-4102W9 Light WP-9003 W1200xD625xH1655
—	WET-5102W3 W1500xD775xH1710	WET-5102W4 W1500xD775xH1710	WET-5102W5 Light WP-9003 + WP-9004 W1500xD775xH1710

Unit of measurement : mm



Various types of drawer / base designs



With leveler screws



Perforated board can be used with all tanko hangers
Refer to P41~43

Workbench-top types

Rubber top



High density fiberboard(HDF) covered with green rubber mat on top and PVC protective edges.

Laminate top



Particle board covered with gray laminate and PVC protective edges.

Wood top



Finger-jointed rubber wood.

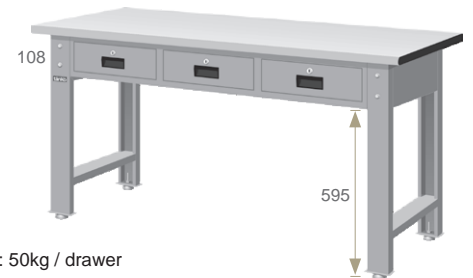
W1500 / 1800 x D750 x H30

KG 600kg load capacity



Standard

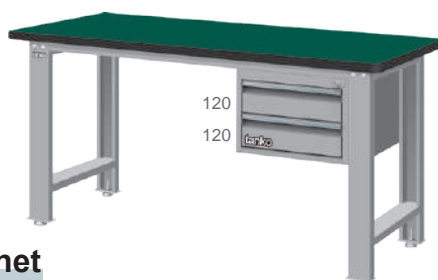
Rubber top N	Laminate top F	Wood top W	Dimensions
WB-57N	WB-57F	WB-57W	W1500xD750xH800
WB-67N	WB-67F	WB-67W	W1800xD750xH800



Drawers

Loading : 50kg / drawer

Rubber top N	Laminate top F	Wood top W	Dimensions
WBT-5203N	WBT-5203F	WBT-5203W	W1500xD750xH800
WBT-6203N	WBT-6203F	WBT-6203W	W1800xD750xH800



ES-13022 cabinet
Dimensions :
W400xD607xH300
Loading : 45kg / drawer

Hanging Cabinet

Rubber top N	Laminate top F	Wood top W	Dimensions
WBS-53022N	WBS-53022F	WBS-53022W	W1500xD750xH800
WBS-63022N	WBS-63022F	WBS-63022W	W1800xD750xH800



EGA-7041 tool cabinet

Loading : 45kg / drawer
Refer to P21

Perforated panels are optional, please refer to P18

Tool Cabinet

Rubber top N	Laminate top F	Wood top W	Dimensions
WB-57N6A	WB-57F6A	WB-57W6A	W1500xD750xH1400
WB-67N6A	WB-67F6A	WB-67W6A	W1800xD750xH1400



EGA-7041

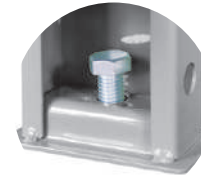
W566xD510xH700

Power plugs not included.

Unit of measurement : mm



Various types of drawer / base designs



With leveler screws

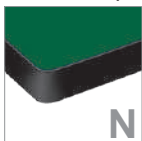


Perforated panels are optional
Refer to P18

KG 2000kg load capacity
KG 1000kg load capacity (Mobile type)

Workbench-top types

Rubber top



N

High density fiberboard(HDF) covered with green rubber mat on top and PVC protective edges.

Laminate top



F

Particle board covered with gray laminate and PVC protective edges.

Wood top



W

Finger-jointed rubber wood.

Stainless steel top



S

High density material covered with 1.2mm stainless steel sheet.

Tanko top



T

Multi-layer laminate and PVC protection on four edges.

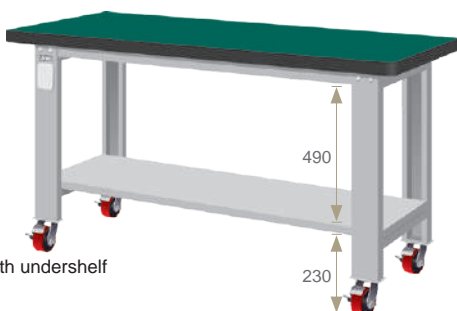
W1500 / 1800 / 2100 x D750 x H50

W1500 x D750 x 36 (TG)
W1800 x D750 x 43 (TH)



Standard

Workbench-top	N	F	S	W	TG	TH
Dimensions	WxDxH				WxDxH	
WA-56 □	—				1500x650x786	1500x650x793
WA-57 □	1500x750x800				1500x750x786	1500x750x793
WA-67 □	1800x750x800				1800x750x786	1800x750x793
WA-77 □	2100x750x800				—	—



With undershelf

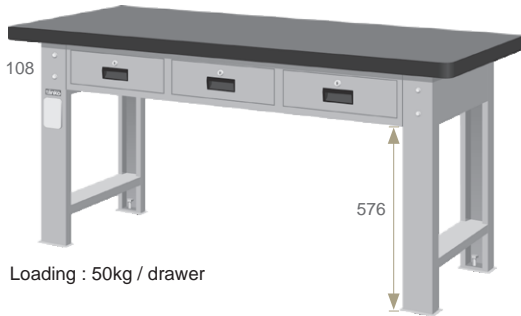
Mobile

Workbench-top	N	F	S	W	TG	TH
Dimensions	WxDxH				WxDxH	
WA-57 □ M	1500x750x850				1500x750x836	1500x750x843
WA-67 □ M	1800x750x850				1800x750x836	1800x750x843

Model No. **WA-57** **N** / □ Workbench-top types

Unit of measurement : mm

2000kg load capacity



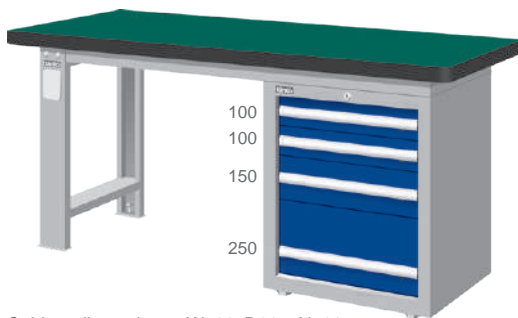
Drawers

Workbench-top	N	F	S	W	TG	TH
Dimensions	WxDxH				WxDxH	
WAT-5203 <input type="checkbox"/>	1500x750x800				1500x750x786	1500x750x793
WAT-6203 <input type="checkbox"/>	1800x750x800				1800x750x786	1800x750x793
WAT-7203 <input type="checkbox"/>	2100x750x800				—	—



Hanging Cabinet

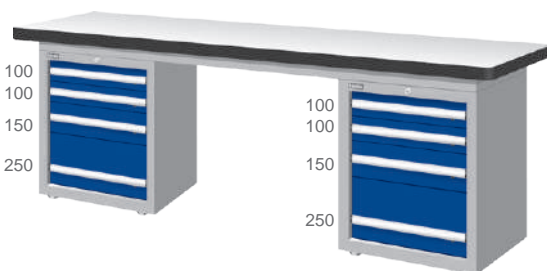
Workbench-top	N	F	S	W	TG	TH
Dimensions	WxDxH				WxDxH	
WAS-54031 <input type="checkbox"/>	1500x750x800				1500x750x786	1500x750x793
WAS-64031 <input type="checkbox"/>	1800x750x800				1800x750x786	1800x750x793
WAS-74031 <input type="checkbox"/>	2100x750x800				—	—



Tool Cabinet

Workbench-top	N	F	S	W	TG	TH
Dimensions	WxDxH				WxDxH	
WAS-57042 <input type="checkbox"/>	1500x750x800				1500x750x786	1500x750x793
WAS-67042 <input type="checkbox"/>	1800x750x800				1800x750x786	1800x750x793
WAS-77042 <input type="checkbox"/>	2100x750x800				—	—

Heavy Duty Workbench



Double Tool Cabinet

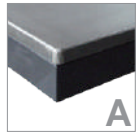
Workbench-top	N	F	S	W
Dimensions	WxDxH			
WAD-77042 <input type="checkbox"/>	2100x750x800			

Cabinet dimensions : W566xD607xH700
Loading : 100kg / drawer Refer to P25

Model No. **WAT-5203** N / Workbench-top types

Unit of measurement : mm

Benchwork top

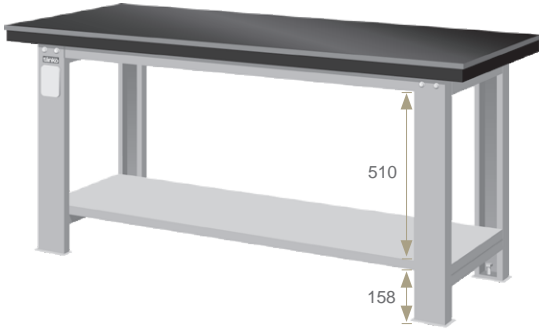


36mm base material covered with 9mm steel plate.

W1500
W1800 x D750 x H50

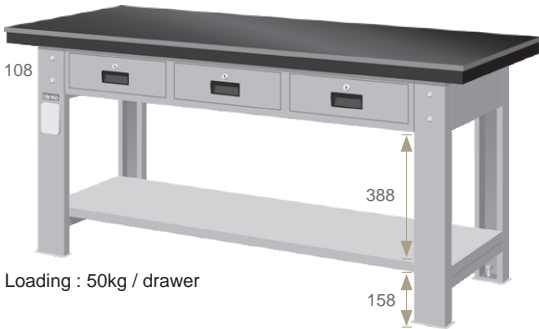
A

KG 2000kg load capacity
With undershelf



Standard

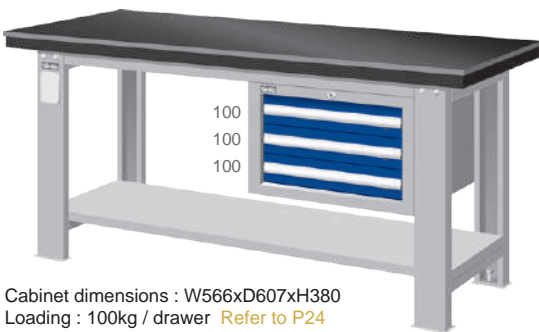
A Benchwork top	Dimensions
WA-57A	W1500xD750xH800
WA-67A	W1800xD750xH800



Loading : 50kg / drawer

Drawers

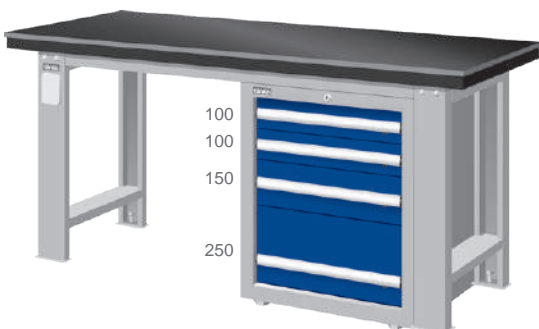
A Benchwork top	Dimensions
WAT-5203A	W1500xD750xH800
WAT-6203A	W1800xD750xH800



Cabinet dimensions : W566xD607xH380
Loading : 100kg / drawer [Refer to P24](#)

Hanging Cabinet

A Benchwork top	Dimensions
WAS-54031A	W1500xD750xH800
WAS-64031A	W1800xD750xH800



Cabinet dimensions : W566xD607xH700
Loading : 100kg / drawer [Refer to P25](#)

Tool Cabinet

A Benchwork top	Dimensions
WAS-57042A	W1500xD750xH800
WAS-67042A	W1800xD750xH800

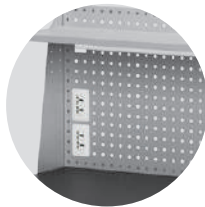
Steel top



P : 10mm Rubber mat **Q** : 12mm PVC mat

Made from 2mm steel, covered with 10mm black rubber mat(P) or 12mm PVC mat(Q).

W1200 / 1500 / 1800 x D750 x H50



Perforated panels are optional
Refer to P18



With leveler screws



EA-7042 Refer to P25



EGA-7041 Refer to P21



KG 2000kg load capacity



Standard

Steel-top	P	Q
Dimensions	WxDxH	WxDxH
WD-48 <input type="checkbox"/>	1224x775x810	1224x775x812
WD-58 <input type="checkbox"/>	1524x775x810	1524x775x812
WD-68 <input type="checkbox"/>	1824x775x810	1824x775x812

Hanging Cabinet

Loading : 45kg / drawer

Steel-top	P	Q
Dimensions	WxDxH	WxDxH
WD-4801 <input type="checkbox"/>	1224x775x810	1224x775x812
WD-5801 <input type="checkbox"/>	1524x775x810	1524x775x812
WD-6801 <input type="checkbox"/>	1824x775x810	1824x775x812



Two Drawers

Loading : 45kg / drawer

Steel-top	P	Q
Dimensions	WxDxH	WxDxH
WDT-4202 <input type="checkbox"/>	1224x775x810	1224x775x812

Three Drawers

Loading : 45kg / drawer

Steel-top	P	Q
Dimensions	WxDxH	WxDxH
WDT-5203 <input type="checkbox"/>	1524x775x810	1524x775x812
WDT-6203 <input type="checkbox"/>	1824x775x810	1824x775x812

Model No. WD-58 P / Workbench-top types

Unit of measurement : mm

Stainless Steel Workbench



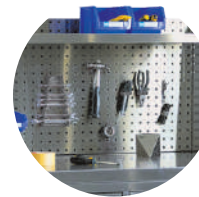
KG 600kg load capacity
KG 400kg load capacity (Mobile type)



Various types of drawer / base designs



With leveler screws



Perforated panels are optional
 Refer to P18

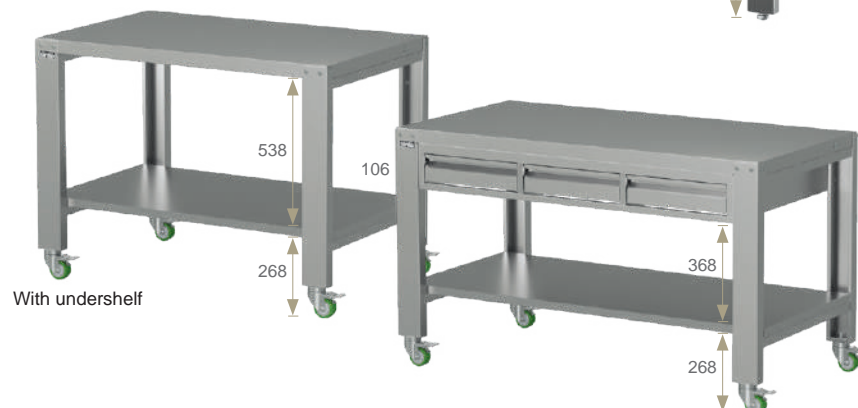


WD-48S	W1217xD768xH800
WD-58S	W1517xD768xH800
WD-68S	W1817xD768xH800



Two Drawers Loading : 35kg / drawer

WDT-4202S	W1217xD768xH800
------------------	-----------------



Three Drawers Loading : 35kg / drawer

WDT-5203S	W1517xD768xH800
WDT-6203S	W1817xD768xH800

Mobile

WD-48MS	W1217xD768xH887
WDT-5203MS	W1517xD768xH887
WDT-6203MS	W1817xD768xH887

Hexagonal Workbench



With lock

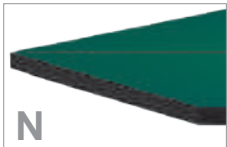


With leveler screws



Power tower

Rubber top

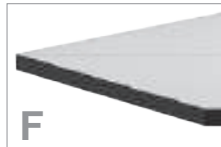


High density fiberboard(HDF) covered with green rubber mat on top and PVC protective edges.

N

W2500 x D2165 x H50

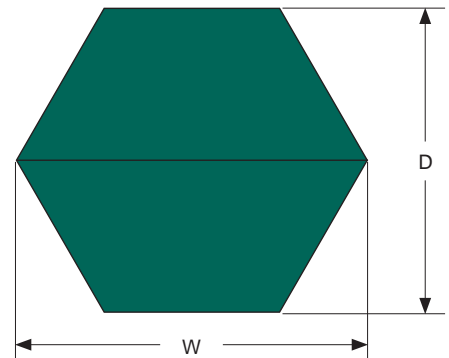
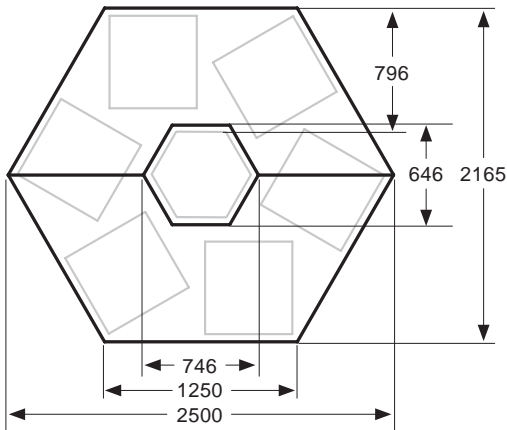
Laminate top



Particle board covered with gray laminate and PVC protective edges.

F

W2500 x D2165 x H50



Standard Tool Cabinet	W2300xD1992	W2400xD2079	W2500xD2165
	W2600xD2252	W2700xD2339	
Standard / Hanging Cabinet Heavy-Duty Tool Cabinet	W2500xD2165	W2600xD2252	W2700xD2339

Power Tower



Dimensions	Items Included (per side)
W746xD646xH250	Universal socket 110V~220V x 2 sets Air coupling (1 hole) x 1 set

Power plugs not included.

Standard



KG 600kg load capacity

Rubber top N	Laminate top F	Dimensions	Accessories
WHB-88N	WHB-88F	W2500xD2165xH850	None
WHB-88N1A	WHB-88F1A	W2500xD2165xH1100	Power tower

Power plugs not included.

Hanging Cabinet

Loading : 45kg / drawer



KG 600kg load capacity

Rubber top N	Laminate top F	Dimensions	Accessories
WHB-881N	WHB-881F	W2500xD2165xH850	None
WHB-881N1A	WHB-881F1A	W2500xD2165xH1100	Power tower

Power plugs not included.

Standard Tool Cabinet

Loading : 45kg / drawer



KG 1000kg load capacity

Rubber top N	Laminate top F	Dimensions	Accessories
WHB-882N	WHB-882F	W2500xD2165xH850	None
WHB-882N1A	WHB-882F1A	W2500xD2165xH1100	Power tower

Power plugs not included.

Heavy-Duty Tool Cabinet

Loading : 100kg / drawer



KG 1000kg load capacity

Rubber top N	Laminate top F	Dimensions	Accessories
WHA-882N	WHA-882F	W2500xD2165xH850	None
WHA-882N1A	WHA-882F1A	W2500xD2165xH1100	Power tower

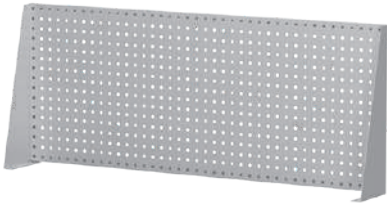
Power plugs not included.

Unit of measurement : mm

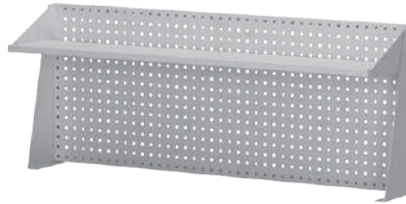
Workbench Accessories

Panel Set

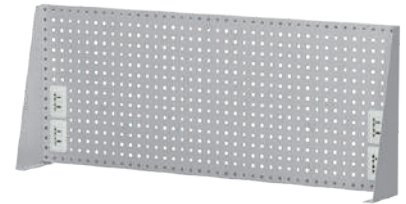
For both professional and heavy duty workbenches



WQ-52	W1502xD202xH603
WQ-62	W1802xD202xH603
WQ-72	W2102xD202xH603



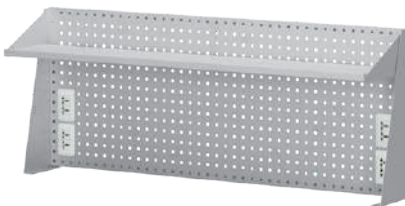
WQ-53	W1502xD325xH603
WQ-63	W1802xD325xH603
WQ-73	W2102xD325xH603



WQ-54A	W1502xD202xH603
WQ-64A	W1802xD202xH603
WQ-74A	W2102xD202xH603

Universal socket (110V~220V) x4

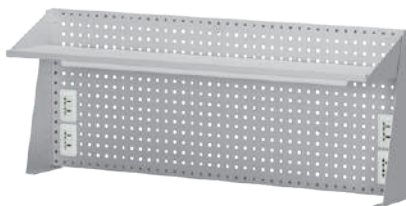
Power plugs not included



WQ-55A	W1502xD325xH603
WQ-65A	W1802xD325xH603
WQ-75A	W2102xD325xH603

Universal socket (110V~220V) x4

Power plugs not included



WQ-56A	W1502xD325xH603
WQ-66A	W1802xD325xH603
WQ-76A	W2102xD325xH603

Universal socket (110V~220V) x4

LED light (20W) x1

Power plugs not included



WQ-67A	W1780xD450xH564
WQ-77A	W2080xD450xH564

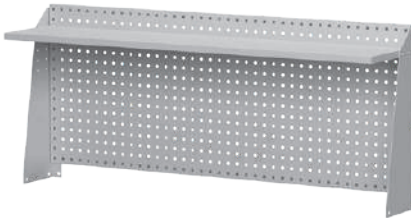
Parts cabinet (W218xD420xH540) x2

Universal socket (110V~220V) x4

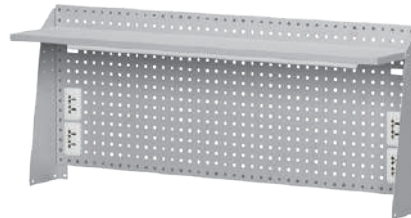
LED light (20W) x1

Power plugs not included

For steel top workbench



WQD-43	W1217xD320xH658
WQD-53	W1517xD320xH658
WQD-63	W1817xD320xH658

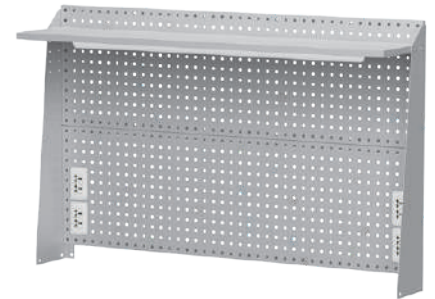


WQD-46A	W1217xD320xH658	10W
WQD-56A	W1517xD320xH658	20W
WQD-66A	W1817xD320xH658	20W

Universal socket (110V~220V) x4

LED light (10W/20W) x1

Power plugs not included



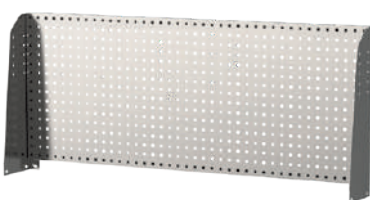
WQD-49A	W1217xD320xH958	10W
WQD-59A	W1517xD320xH958	20W
WQD-69A	W1817xD320xH958	20W

Universal socket (110V~220V) x4

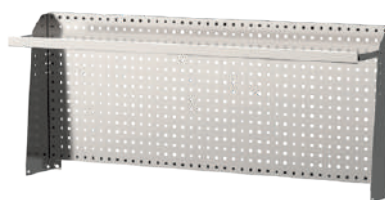
LED light (10W/20W) x1

Power plugs not included

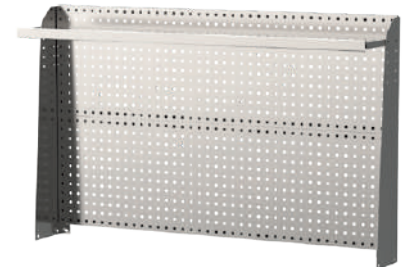
For stainless steel workbench



WQD-42S	W1209xD202xH645
WQD-52S	W1509xD202xH645
WQD-62S	W1809xD202xH645



WQD-43S	W1209xD320xH645
WQD-53S	W1509xD320xH645
WQD-63S	W1809xD320xH645



WQD-47S	W1209xD320xH945
WQD-57S	W1509xD320xH945
WQD-67S	W1809xD320xH945

Unit of measurement : mm

Undershelf



For heavy duty workbench

WP-41	W1400xD509xH30
WP-42	W1700xD509xH30
WP-43	W2000xD509xH30



For steel top workbench

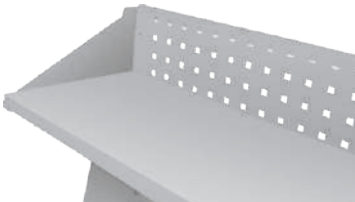
WDP-14	W1200xD660xH30
WDP-15	W1500xD660xH30
WDP-16	W1800xD660xH30



For stainless steel workbench

WDP-14S	W1200xD655xH30
WDP-15S	W1500xD655xH30
WDP-16S	W1800xD655xH30

Shelf



KP-19	W1500xD300
KP-20	W1800xD300
KP-21	W2100xD300

Air Coupling



WP-9021	2 holes
----------------	---------

Socket



WP-9013A	110V~220V
-----------------	-----------

Light



LED light

WP-9002	W1150xD222xH39
	20W

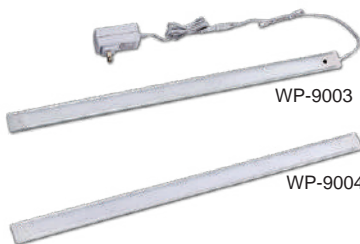
Workbench Seating



WP-625011	W 350 D 350 H 480
------------------	-------------------------



WP-625023	W 350 D 350 H 500~640
------------------	-----------------------------



Ultra thin LED light

WP-9003	WP-9004
W604xD32xH7	W604xD32xH7
15W	15W

WP-9003 can be extended with WP-9004



WP-61301	W 330 (Cushion) D 600 H 400~510
-----------------	---------------------------------------



WP-61102	W 430 D 490~530 H 810~925
-----------------	---------------------------------